

CLEVER PANTS RACK

ASSEMBLY INSTRUCTIONS

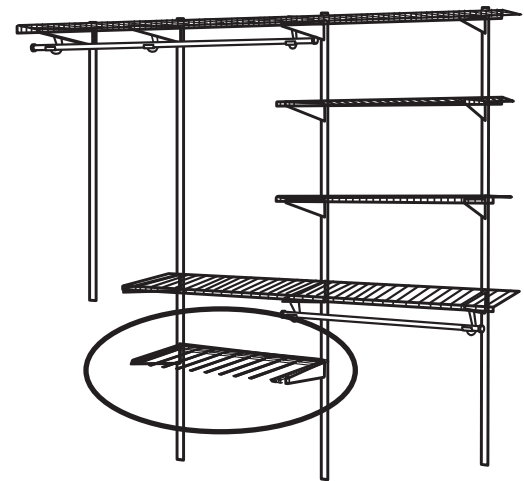
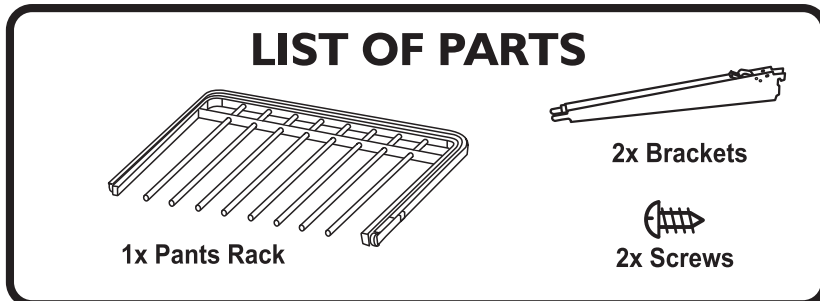


CPRW (White) / CPRS (Satin Grey)

TOOLS REQUIRED:

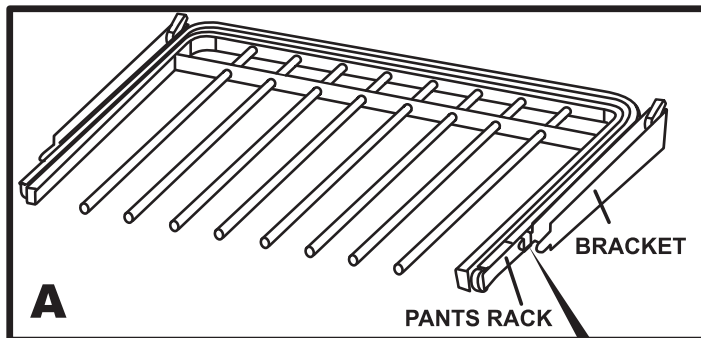


Phillips Head Screwdriver

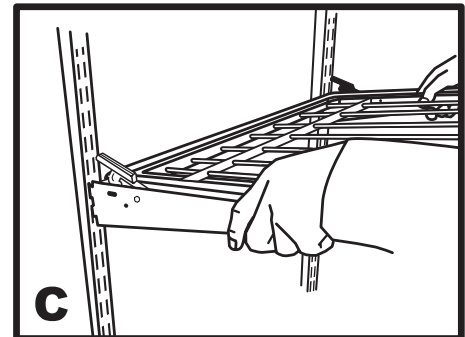


IMPORTANT:

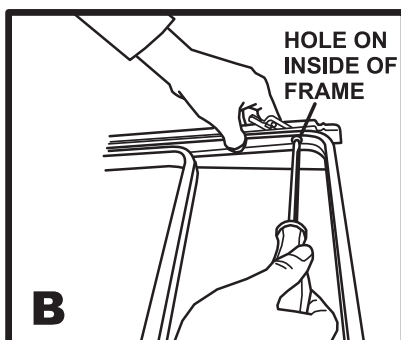
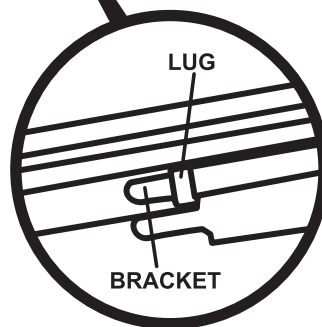
Check that you have all parts as listed.
Read through instructions before commencing assembly.



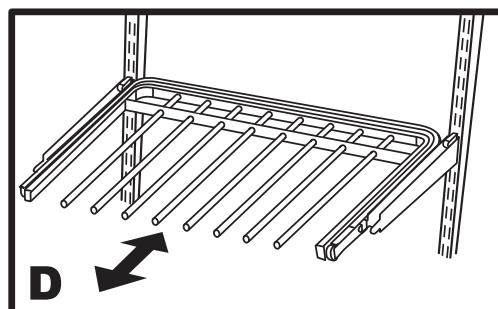
- Slide one of the Brackets into the side of the Frame by sliding into the lug as shown in Diag A. Repeat for other side.



- Attach assembly to Wallstrips by inserting lugs on Brackets into slots in Wallstrips and press down locking clips in Brackets. (Diag C)



- Using a Phillips Head screwdriver, fix the rear of the Frame to the Brackets by inserting and securing the self tapping screws. Insert them through the holes on the inside of the Frame and into the Brackets as shown in Diag B.



- Check sliding action of the Pants Rack (Diag D)