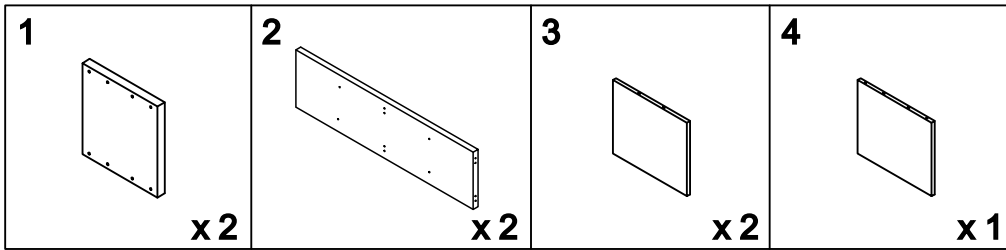
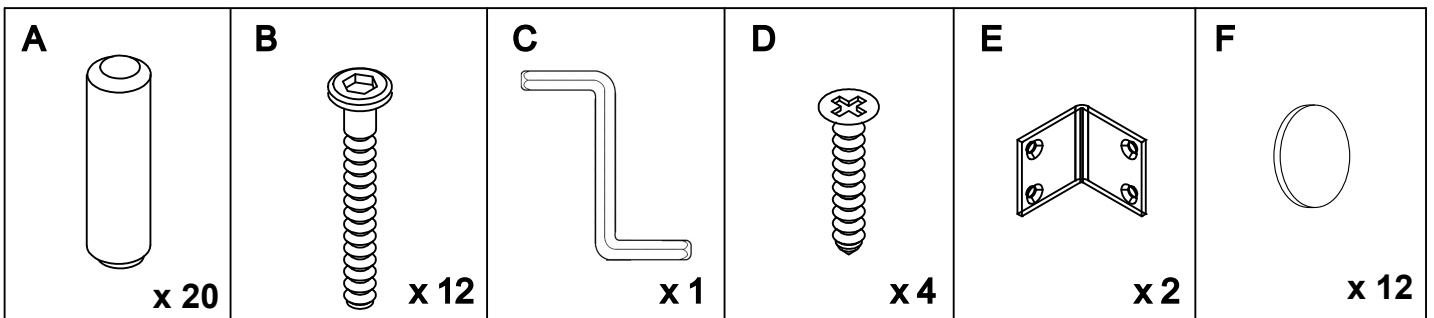


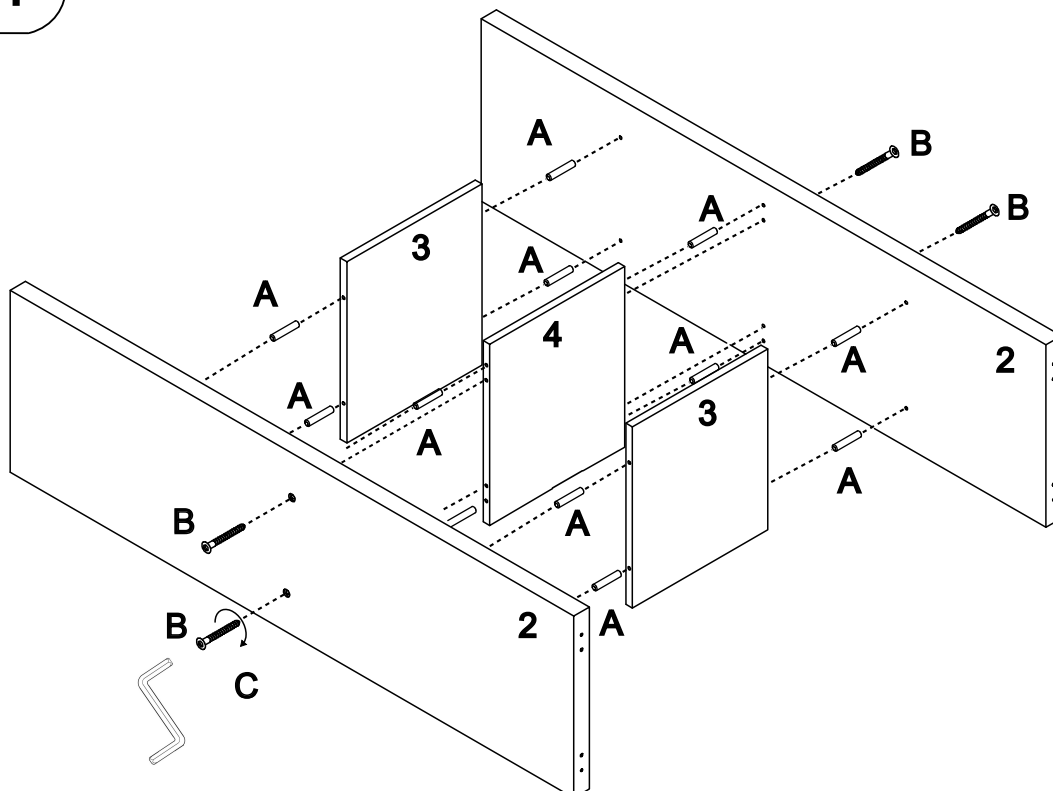
Element



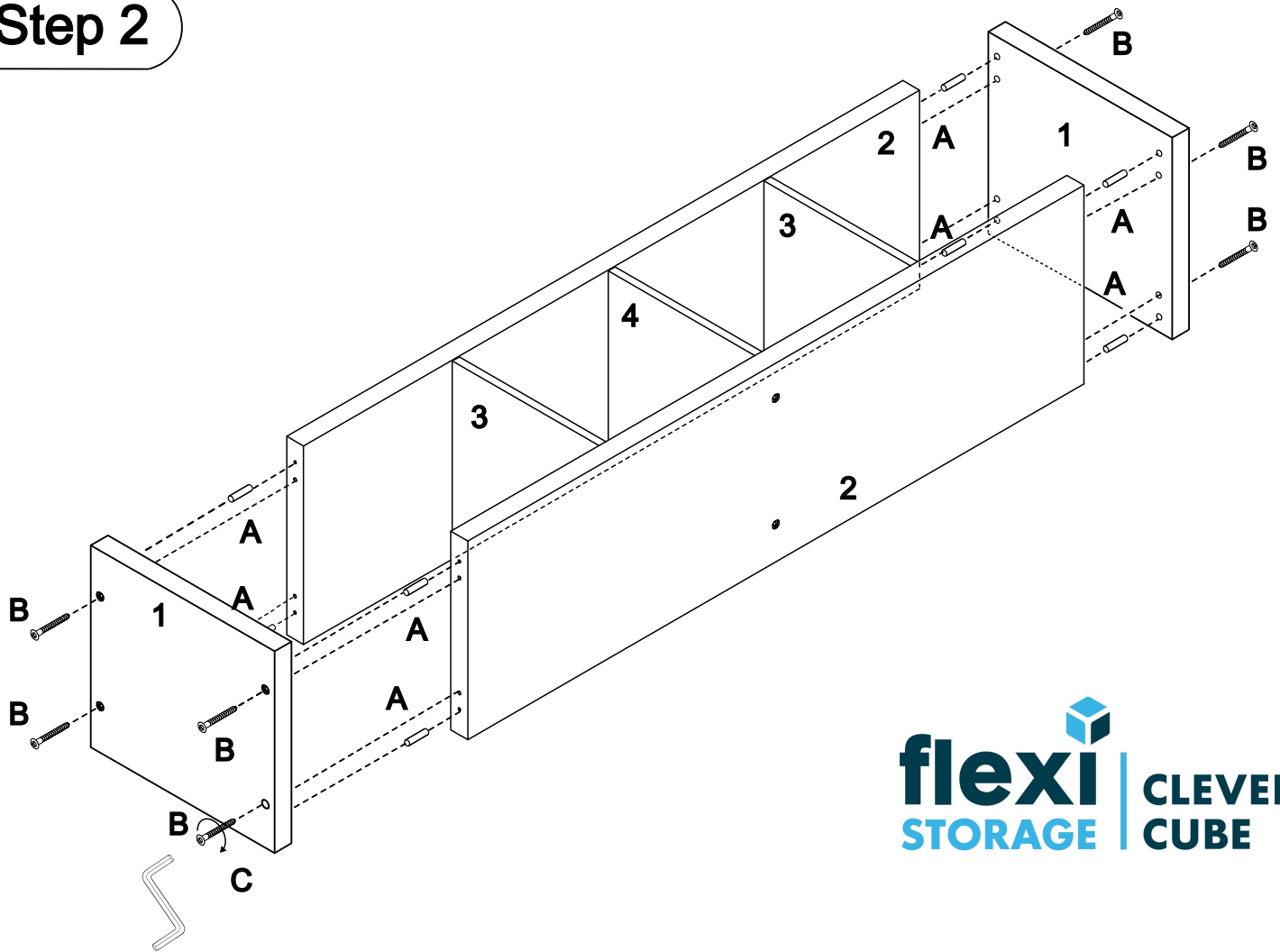
Hardware



Step 1

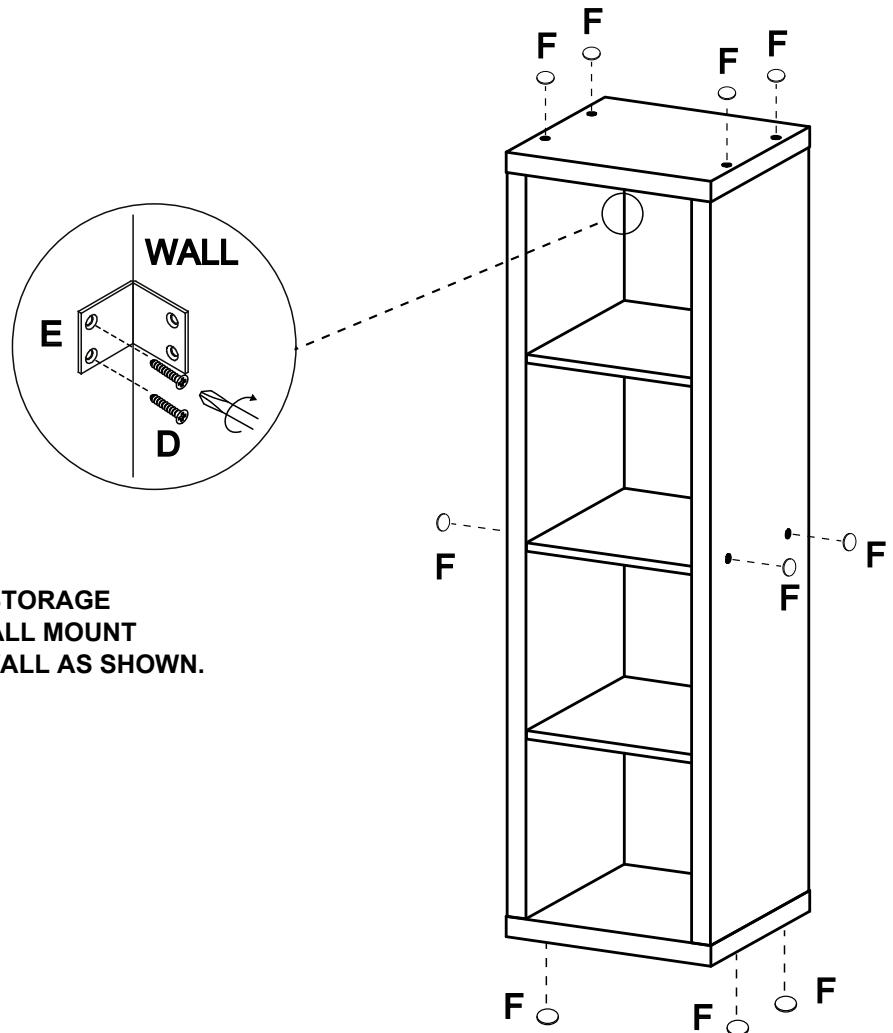


Step 2



flexi | CLEVER
STORAGE | CUBE

Step 3



WARNING: TO AVOID THE RISK OF STORAGE TIPPING OVER, PLEASE ATTACH WALL MOUNT SUPPLIED TO THE PRODUCT AND WALL AS SHOWN.

As wall materials vary, screws for fixing to wall are not included. For advice on suitable screw system, contact your local specialised dealer.